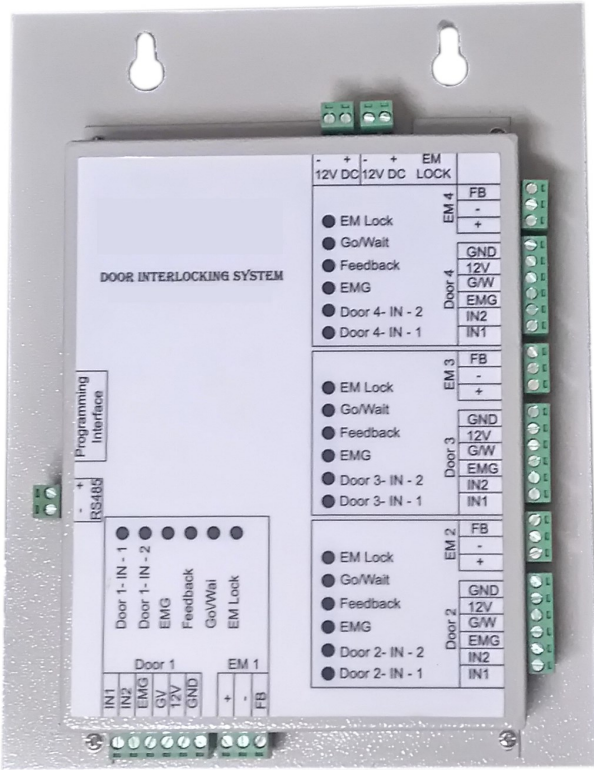
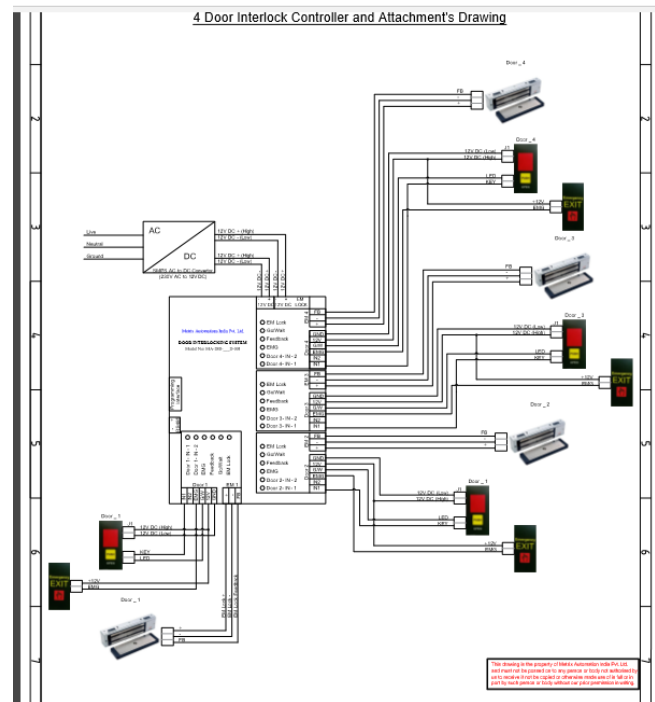


DOOR INTERLOCKING



FEATURES

- 1) 2 Door to 16 Door
- 2) Provision for Emergency and Buzzer
- 3) It can be Integrated to BMS system on RS485 MODBUS
- 4) Field programming of Interlocking Logic
- 5) Isolated outputs and Inputs
- 6) Available in NFLP and FLP enclosures





ELECTROMAGNETIC LOCK 600lbs



SS NO TOUCH



SS EMERGENCY SWITCH



GO WAIT/EMERGENCY